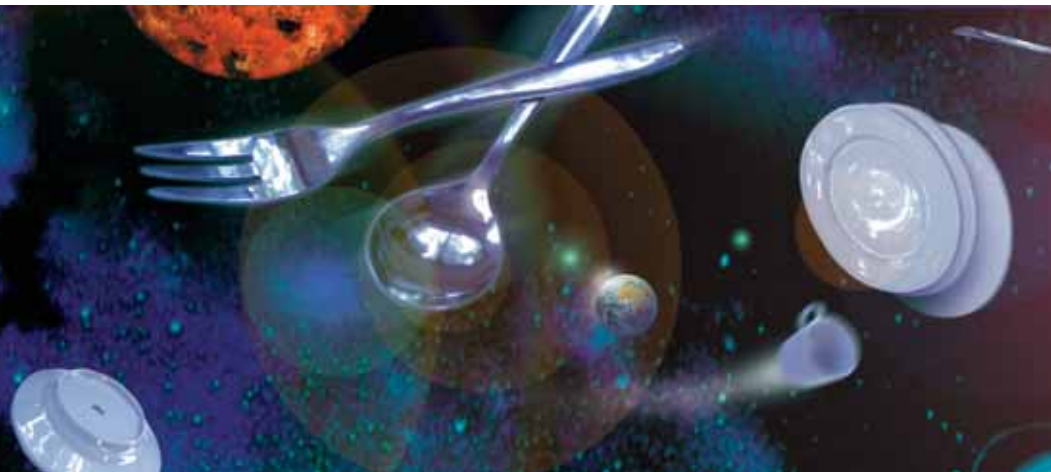


## Pass Through Dishwashers



An encounter of a special kind

## Winterhalter



### Partnership for the future

The Winterhalter corporate mission is to supply you with clean dishes. As a specialist with decades of experience in commercial dishwashing, we know what counts. Based on this knowledge, we have developed our pass-through dishwasher GS 502 – in the truest sense of the word an encounter of a special kind.

## The GS 502 dishwasher



### Dishwashing technology of the future

Winterhalter is setting new standards with the GS 502. One-button operation ensures clean and simple washing every time. The hygiene concept guarantees the highest degree of cleanliness. New high-powered wash jets develop pure washing power. The GS 502 is unique in operation and design – you'll be convinced of that.

## One-button operation

Intelligent electronics in a nutshell – that's the one-button operation of the GS 502. It gives you clean and simple washing every time. And you have everything under control at a glance thanks to the clear display with clear colour coding of the different operations. GS 502 – dishwashing could not be easier.



clean and simple washing



Heat

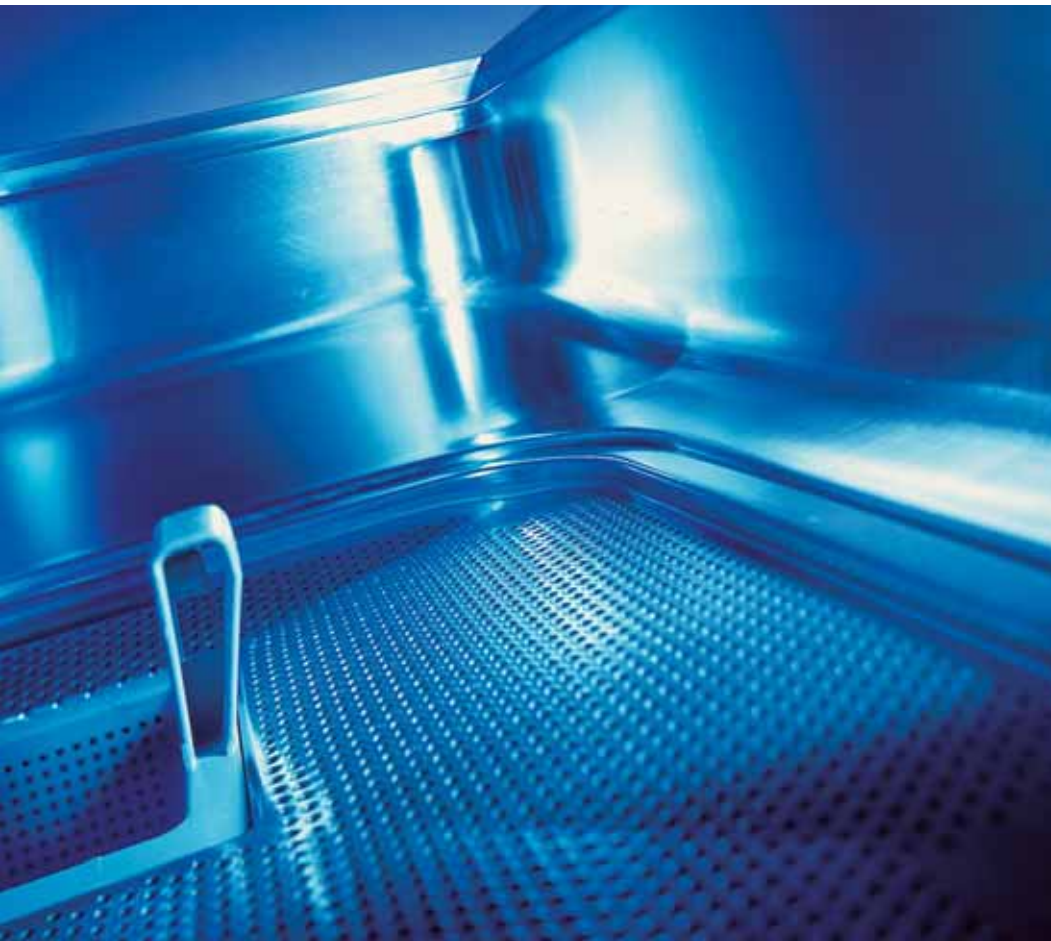


Wash



Check





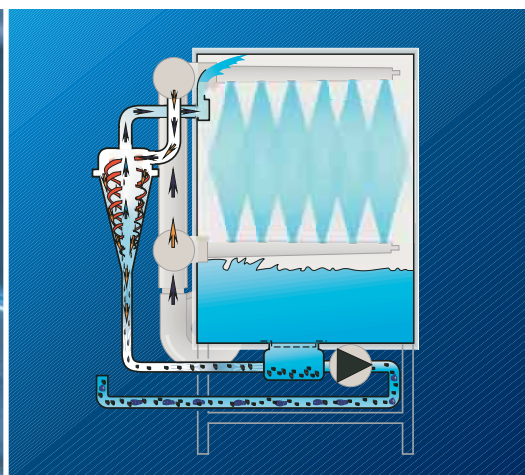
## Hygiene with a concept

The deep-drawn, seamless interior and the side-mounted panel heating do not give dirt a chance. The Mediamat Cyclo permanently filters out even the smallest dirt particles from the wash water. Coarse debris is removed by the comprehensive filter system with a removable filter cassette. Due to the self-cleaning programme (incl. hood cleaning system), there is no need to clean the interior of the machine. The exterior of the GS 502 is hoseproof (IPX 5).

always clean inside



**Panel heating – no deposits**



**Fine debris is filtered out**



**No coarse debris can get into the wash water**



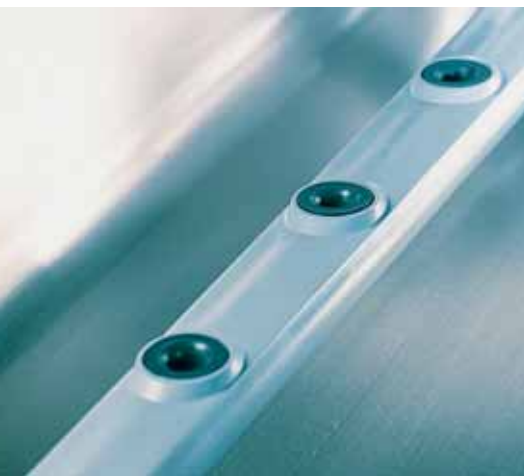
## Strong washing power

Due to intelligent collision technology, the high-powered wash jets of the GS 502 guarantee the highest degree of washing power.

The “integral wash arms” ensure a powerful water flow. Combine this with the Winterhalter compact wash system and clean dishes are guaranteed. Even small dishes remain in place in the rack.

Ergonomic hood handles make it possible to work quickly and safely in every operating position and the large clear entry height guarantees flexible use. GS 502 – the power to convince.

**strong, fast and flexible**



**Highest degree of wash power**



**Quick to open**



**Flexible use**





## Clean dishes

“We supply clean dishes” is the Winterhalter corporate philosophy. That’s why we consider not only the development of dishwashers and constant optimisation of our service, but also attach great value to the usage of the optimal water and specially co-ordinated detergents. Everything under one roof – that’s how we guarantee a washing result that can only be provided by Winterhalter.

everything under one roof



**Water treatment**



**Detergents**



**Winterhalter service**

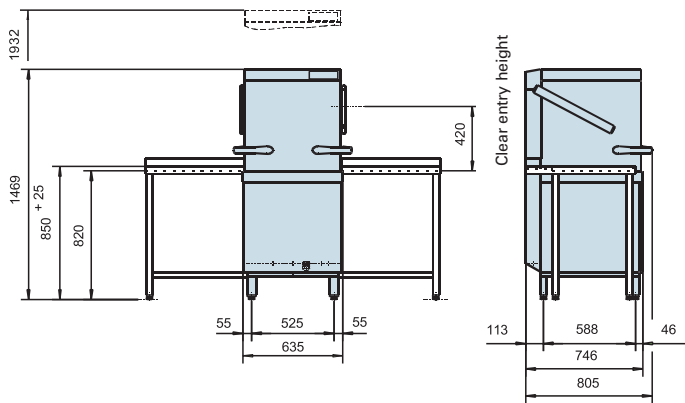
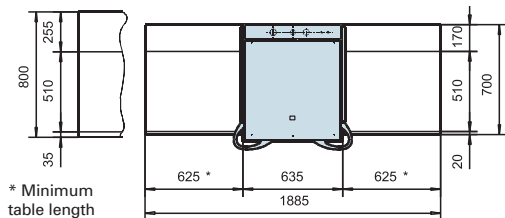


Table 800 mm deep  
Also possible



\* Minimum table length

		GS 502
<b>Theoretical capacity</b>	[racks/h]	60/30/15
<b>Width</b>	[mm]	635
<b>Depth</b>	[mm]	749
<b>Height with closed hood</b>	[mm]	1469
<b>Height with opened hood</b>	[mm]	1932
<b>Entry height</b>	[mm]	420 (±5)
<b>Rack dimensions</b>	[mm]	500 x 500
<b>Tank capacity</b>	[l]	42
<b>Rinse water consumption* per cycle</b>	[l]	2.4
<b>Tank temperature</b>	[°C]	60
<b>Boiler temperature</b>	[°C]	85
<b>Total connected load hot fill/cold fill</b>	[kW]	9.7/15.7
<b>Weight net</b>	[kg]	118

\* Under ideal conditions. The fresh water consumption depends on the on-site conditions. The precise adjustment takes place during commissioning.